

# NT1 5TH GENERATION

STUDIO CONDENSER MICROPHONE



10 YEAR WARRANTY



DUAL CONNECT XLR & USB CONNECTIVITY



32 BIT FLOAT DIGITAL OUTPUT



1" GOLD-SPUTTERED CAPSULE



The NT1 5th Generation fuses the classic sound signature of the legendary RØDE NT1 with cutting-edge, next-generation technology. It features RØDE's groundbreaking Dual Connect output, offering both XLR and USB connectivity for connecting to an audio interface, mixer or console, and other audio equipment, or directly to a computer for plug-and-play recording. It features a professional-grade audio interface built in, with RØDE's ultra-low-noise, high-gain Revolution Preamp™, high-resolution (up to 192kHz) A/D conversion, and advanced digital signal processing for recording pristine, studio-quality audio. It also features a 32-bit float digital output for recording everything from a whisper to the loudest drummer with no chance of clipping\* and no need to set complex gain controls. These revolutionary features complement the warm silky character, extended frequency response, extremely low self-noise, and high SPL handling that the NT1 is renowned for, making the NT1 5th Generation the ultimate studio microphone for a wide variety of recording applications.

\* up to the max SPL handling capability of the microphone

- Large-diaphragm (1-inch) gold-sputtered condenser capsule
- Extended frequency response
- Exceptionally low self-noise (4dBA)
- High sensitivity and high SPL handling
- Dual Connect output – XLR and USB connectivity
- Ultra-low-noise, high-gain Revolution Preamp™
- 32-bit float digital output
- High-resolution (192kHz) A/D conversion
- On-board DSP for advanced APHEX® audio processing, including a compressor, noise gate, high-pass filter, and Aural Exciter™ and Big Bottom™ effects
- Studio-grade shock mount and pop filter, XLR and USB cables included
- Available in black and silver
- Designed and made in RØDE's precision manufacturing facilities in Sydney, Australia



## ACOUSTIC & ELECTRICAL SPECIFICATIONS

Acoustic Principle:	Pressure gradient
Active Electronics:	JFET impedance converter with bipolar output buffer
Capsule:	1.00"
Polar Pattern:	Cardioid
Address Type:	Side
Frequency Range:	20Hz - 20kHz
Output Impedance:	100Ω
Maximum SPL:	142 dB SPL
Equivalent Noise (A-Weighted):	4dBA
Sensitivity:	-32 dB re 1 Volt/Pascal (25 mV @ 94 dB SPL) +/- 2 dB @ 1 kHz
Analogue Power Requirements:	Via XLR: P48
Analogue Output Connection:	3-pin XLR
<b>DIGITAL SPECIFICATIONS</b>	
Digital Power Requirements:	Via USB: 5V
Digital Output Connection:	USB-C
Bit Depth:	24-bit / 32-bit floating point
Sampling Rate (kHz):	48 / 96 / 192
Processing:	APHEX digital signal processing (only available at 48kHz sample rate)
Minimum OS Requirements:	Windows 10 Mac OS 10.15

第五代NT1是一款革命性的录音室电容麦克风，融合了NT1经典的声音特点和先进的新一代技术。它具有RØDE开创性的双连接输出概念，提供XLR和USB连接，用于连接音频接口、混音器或控制台和其他音频设备，或直接连接电脑进行即插即用录音功能。它内置一个专业级音频接口，配有RØDE的超低噪声、高增益Revolution Preamp™、高分辨率（高达192kHz）A/D转换和先进的数字信号处理，可录制原始、录音室质量的音频。它还具有32位浮点数字输出，可以录制一切，没有削波和失真，也不需要设置复杂的增益控制。同样具有NT1温暖如丝的声音特点、频率响应、极低噪声和高声压级处理，在这些基础上，增添了新功能，使NT1第五代成为各种录音应用的终极选择。

- 大振膜心形电容麦克风
- 带镀金振膜的HF6 -1英寸电容极头
- 平滑的频率响应，高灵敏度和高声压级处理
- 超低的噪音（4dBA）-- 全球最安静的录音室电容式麦克风之一
- 正在申请专利的双连接(DC)输出，同时具有XLR和USB连接功能
- 独特的32位浮点数字输出
- 超高分辨率（高达192kHz）模数转换
- 用于先进的APHEX®音频处理的板载DSP
- 演播室级别的防震支架和防护罩，包括XLR和USB电缆
- 有黑色或银色，坚固的铝制机身和高品质的表面处理
- 在澳大利亚悉尼的 RØDE 精密制造厂设计和制造

#### ACOUSTIC & ELECTRICAL SPECIFICATIONS 声学 and 电学规格

Acoustic Principle 声学原理: Pressure gradient 气压梯度

Active Electronics 声学原理:	JFET impedance converter with bipolar output buffer 具有双极输出缓冲器的JFET阻抗转换器
Capsule 极头:	1.00"
Polar Pattern 极性模式:	Cardioid 心形
Address Type 定义地址类型:	Side
Frequency Range 频率响应:	20Hz - 20kHz
Output Impedance 输出阻抗:	100Ω
Maximum SPL 最大声压级:	142 dB SPL
Equivalent Noise (A-Weighted) 等效噪声:	4dBA
Sensitivity 灵敏度:	-32 dB re 1 Volt/Pascal (25 mV @ 94 dB SPL) +/- 2 dB @ 1 kHz
Analogue Power Requirements 模拟电源选项:	Via XLR: P48
Analogue Output Connection 模拟输出连接:	3-pin XLR
<b>DIGITAL SPECIFICATIONS 数字技术规格</b>	
Digital Power Requirements 数字电源要求:	Via USB: 5V
Digital Output Connection 数字输出连接:	USB-C
Bit Depth 比特深度:	24-bit / 32-bit floating point (浮点数)
Sampling Rate (kHz) 采样率:	48 / 96 / 192
Processing 处理:	APHEX digital signal processing (only available at 48kHz sample rate) APHEX 数字信号处理 (仅在48kHz采样率下可用)
Minimum OS Requirements 最低操作系统要求:	Windows 10 Mac OS 10.15

# NT1 5TH GENERATION

## STUDIO CONDENSER MICROPHONE



10 YEAR WARRANTY



DUAL CONNECT XLR & USB CONNECTIVITY

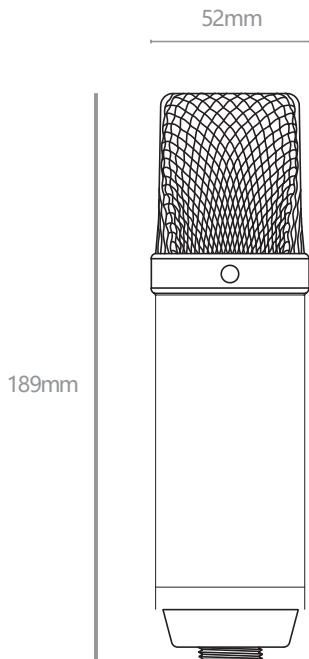


32 BIT FLOAT DIGITAL OUTPUT

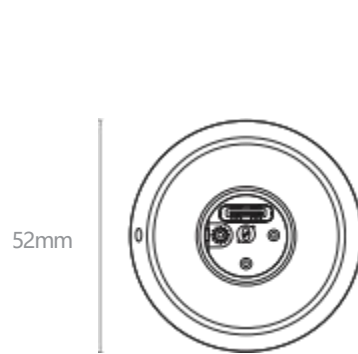


1" GOLD-SPUTTERED CAPSULE

Front view



Bottom view



### MECHANICAL SPECIFICATIONS 技术规格

Weight 重量(grams 克): 308

Dimensions 尺寸 Length 长: 52

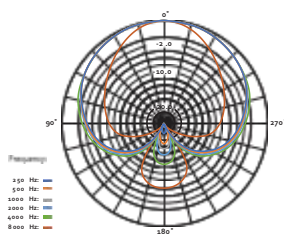
(millimetres 毫米): Width 宽: 52  
Height 高: 189

- Included Accessories: 包括配件:
- SM6 Shock mount 防震装置 & pop filter 防喷罩
  - SC29 - 3m USB-C Cable 线缆
  - 6m XLR Cable 线缆
  - Dust Cover 防尘罩

RØDE Software 软件 RØDE Central

Compatibility 兼容: RØDE Connect  
RØDE UNIFY

### POLAR PATTERN



### FREQUENCY RESPONSE

