



NSB 8.8

8x8 AVB-networked Stage Box



Key Features

- Remote AVB networkable stage boxes for StudioLive Series III mixers
- 8 remotely controlled XMAX mic preamps
- Onboard gain compensation to support multiple mixers
- 8 XLR outputs
- Integrated AVB switch supports daisy-chain network configurations
- Rugged metal chassis

Applications

- Installed Sound
- Live Touring
- Mobile Applications
- Theatre
- House of Worship
- Corporate
- Studio

Inputs and outputs wherever you need them.

The PreSonus NSB 8.8 networked stage box lets you put analog I/O for your StudioLive Series III digital mixer wherever you need it. Equipped with 8 digitally controlled XMAX mic preamps, 8 balanced line level inputs, and 8 analog outputs, the NSB 8.8 integrates seamlessly into StudioLive Series III digital mixers with a single Ethernet connection. Remote control input trims, phantom power, and more directly from your StudioLive Series III console or from UC Surface remote mixing software on your tablet or laptop.

Powerful connectivity that's designed to be shared.

The NSB 8.8 networked stage box is loaded with 8 versatile locking combo jacks. Connect your microphones to the digitally controlled XMAX preamps or use the balanced 1/4" TRS inputs to connected your line level devices. The inputs can be routed to any StudioLive Series III digital mixer on the AVB network. You can send audio from the stage to the front-of-house mixer, the mixer at monitor position, the mixer in the broadcast booth, and more, all from the same NSB 8.8 on stage. Because NSB 8.8 preamps are remotely controlled from StudioLive Series III mixers, a single mixer must be given master control.

Unlike other network stage boxes in this class that force every mixer on the network to share the same preamp levels, NSB-series stage boxes are equipped with an onboard DSP that provides gain compensation on every input. This allows every mixer on the network to make preamp

adjustments relative to the level set on the master mixer. In this way, every mixer can adjust the preamp level locally for optimal gain staging.

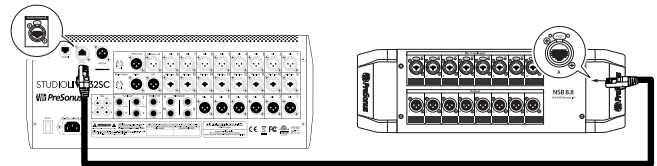
A complete networked solution.

The StudioLive Series III ecosystem of networked products are at the forefront of AVB networking technology. Designed to complement each other, the ecosystem is easily expanded and quickly configured. The NSB 8.8 can be used alone or with many other NSB-series stage boxes to add remote audio to one StudioLive Series III digital mixer or to multiple mixers on the same network. For StudioLive Series III mixers that have limited onboard analog I/O, the NSB 8.8 provides a simple expansion to a full 32- or 64-channel mixing system.

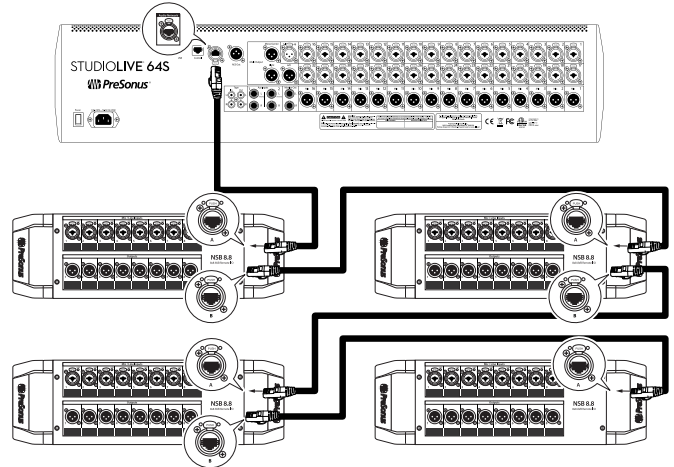
Application and Deployment

PreSonus built the NSB 8.8 inside a rugged steel chassis with sturdy handles designed to survive the rigors of the most demanding tours. The NSB 8.8 is also install friendly: Just remove the handles and attach the optional rackmount kit. For permanent installations, the NSB 8.8 is also compatible with stage pockets from Ace Backstage. An onboard AVB switch supports daisy-chained network configurations for smaller system.

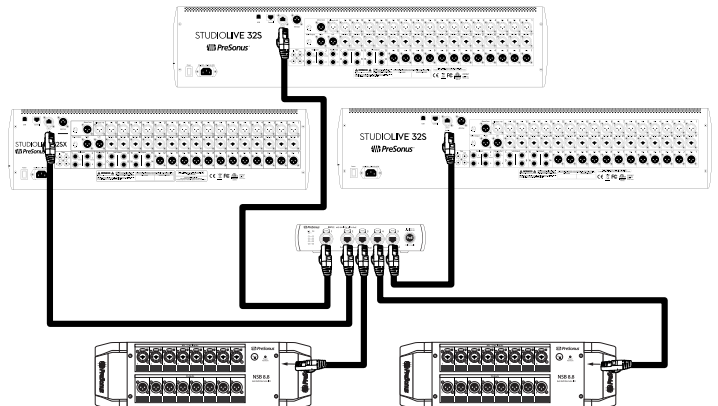
Direct Connect



Daisy Chained Configuration



Input Source for Multiple Mixers



Accessories (Optional)

8.8 Rack Kit. Sturdy rackmount kit for one NSB 8.8 with front-loading locking Ethernet connections.

ACE Backstage #175SLBK Stage Pocket. Designed to be permanently installed in the stage floor and configured to receive the NSB 8.8 for portable onstage use or passive storage.

SW5E AVB Switch. PreSonus' SW5E AVB switch supplies five AVB ports with secure locking XLR Ethernet jacks. Network Link/Activity indicators help you ensure that network data is flowing properly.



Technical Specifications

Microphone Preamplifier	
Input Type	8 XLR Female, balanced (Locking Combo Connectors)
Frequency Response to Main Output (at unity gain)	20-20 kHz, ± 0.5 dBu
Input Impedance	1 k Ω
THD to Main Output	<0.005%, +4 dBu, 20-20 kHz, unity gain, unwt'd
S/N Ratio to Main Output (Ref = +4 dB, 20 kHz BW, unity gain, A-wtd)	94 dB
Common Mode Rejection Ratio (1 kHz at unity gain)	65 dB
Gain Control Range (± 1 dB)	0 dB to +60 dB
Maximum Input Level (unity gain)	+12 dBu
Phantom Power (± 2 VDC)	48 VDC, switchable per channel
Line Inputs	
Type	8 1/4" TRS Female, balanced (Combo connectors)
Frequency Response to Main Output (at unity gain)	20-20 kHz, ± 0.5 dBu
Input Impedance	10 k Ω
THD to Main Output	<0.005%, +4 dBu, 20-20 kHz, unity gain, unwt'd
S/N Ratio to Main Output (Ref = +4 dB, 20 kHz BW, unity gain, A-wtd)	94 dB
Maximum Input Level	+18 dBu
XLR Outputs	
Type	8 XLR Male, balanced
Maximum Output Level	+24 dBu, ± 0.5 dBu
Output Impedance	100 Ω
Digital Audio	
ADC Dynamic Range	115 dB (A-wtd, 48 kHz)
DAC Dynamic Range	115 dB (A-wtd, 48 kHz)
AVB Audio Network Ports	Locking XLR Ethernet
Sampling Rate	48 kHz
Power	
Connector	Locking IEC
Input-Voltage Range	90 to 230 VAC ($\pm 10\%$)
Physical	
Height	5.2" (132 mm)
Width	16.7" (424 mm)
Depth	4.5" (114 mm)
Weight	5.4 lbs. (2.4 kg)