

**RØDE**

**TRIPOD 2**

**三脚架 2**

# TRIPOD 2

CAMERA AND ACCESSORY MOUNT



The Tripod 2 is a sturdy three-position tripod for mounting cameras, microphones and other accessories. In the closed position, it is perfect for handheld use. The tripod legs can also be opened out to a mid or wide setting for optimal positioning and stability. The Tripod 2 has a 1/4" thread for attaching cameras and camera accessories, and also includes a 1/4" to 3/8" thread adaptor for use with microphones. There are also six 1/4" female thread connectors — two on each tripod leg — for mounting accessories onto the side.

Tripod 2 是一款坚固的三脚架，用于安装相机、麦克风和其他配件。在合拢状态，它非常适合手持使用。三脚架腿也可以打开到适中或更宽的设置，以获得最佳定位和稳定性。

Tripod 2 有 1/4" 螺纹接头用于连接相机和相机配件，还包括一个 1/4" 至 3/8" 螺纹适配器，用于与麦克风配合使用。并配有六个 1/4" 内螺纹连接器——每个三脚架腿上有两个——用于将附件安装到侧面。



#### Key Features:

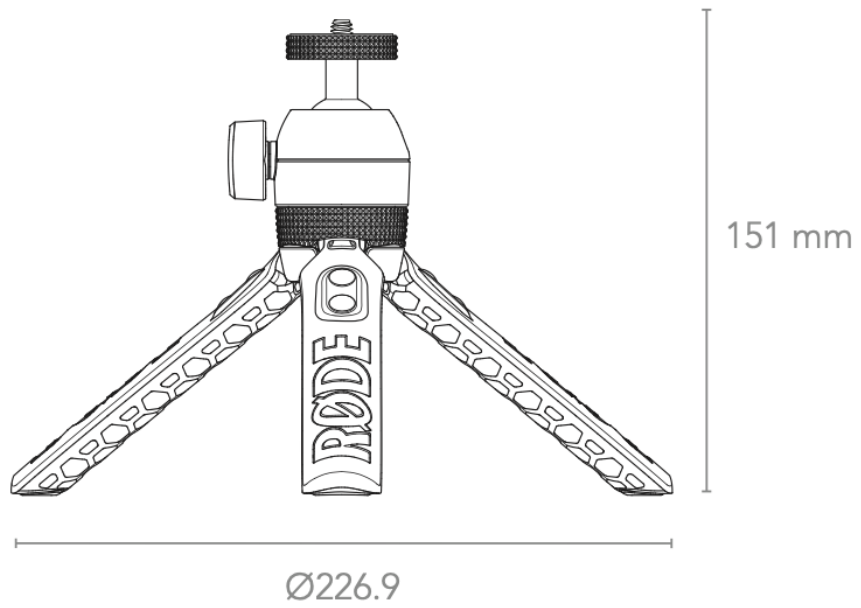
- Perfect for mounting cameras, microphones, and accessories
- Three-position tripod for handheld or static use
- Ball-head tripod for accurate positioning
- Rubberised pads on each leg for extra stability on a tabletop

#### 产品特点:

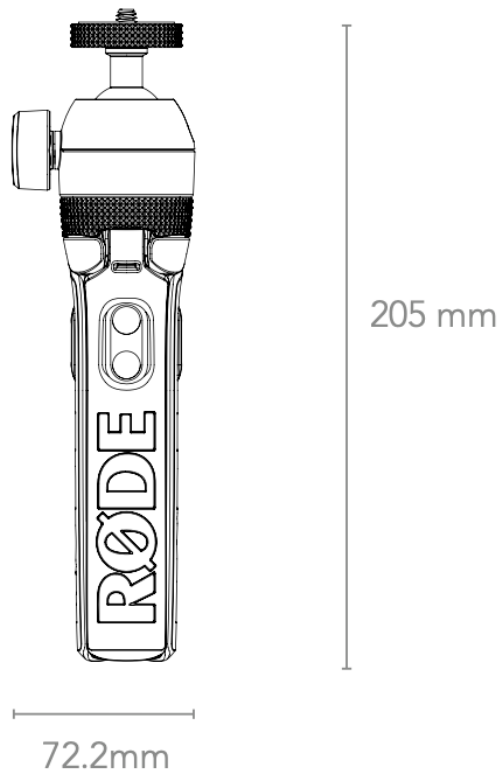
- 适用于安装连接摄像头、麦克风和配件
- 提供三个位置以便于手持或静态使用
- 球头三脚架可准确定位
- 每条腿上的橡胶垫可在桌面上提供额外的稳定性



Wide setting 52°



Closed view



MECHANICAL SPECIFICATIONS	
Material:	Plastic
Colour:	Black
Weight (grams):	200
Product Dimensions (millimetres):	Closed: Height: 205 Width: 57  Extended: Height: 151 Diameter: 229
Compatible RØDE Products:	<ul style="list-style-type: none"> <li>• DCS-1</li> <li>• NT-USB Mini</li> <li>• VideoMic NTG</li> <li>• NTG5</li> <li>• NTG4+</li> <li>• NTG3</li> <li>• NTG2</li> <li>• NTG1</li> <li>• PodMic</li> <li>• M1</li> <li>• M2</li> <li>• M3</li> </ul>
Support Weight (kilograms):	Up to 2Kg (when the head is at a 90-degree angle and the Tripod 2 is fully extended)

规格	
材质:	塑料
颜色:	黑色
重量 (克) :	200
产品尺寸 (毫米) :	合拢: 高: 205 宽: 57  打开: 高: 151 直径: 229
适用于 RODE 其他产品:	<ul style="list-style-type: none"> <li>- DCS-1</li> <li>- NT-USB Mini</li> <li>- VideoMic NTG</li> <li>- NTG5</li> <li>- NTG4 +</li> <li>- NTG3</li> <li>- NTG2</li> <li>- NTG1</li> <li>-PodMic</li> <li>- M1</li> <li>- M2</li> <li>- M3</li> </ul>
最大承重 (千克) :	小于等于 2 千克 (当固定角度为 90 度并且三脚架完全展开)