

WIRELESS ME™ TX

TRANSMITTER FOR THE WIRELESS ME

The Wireless ME TX is an ultra-compact wireless transmitter that makes recording professional audio for your videos effortless – perfect for expanding a RØDE Series IV wireless system. It features both a 3.5mm TRS input for connecting external microphones like lavaliers or VideoMics, along with a built-in omnidirectional mic, and thanks to the intelligent GainAssist technology, you can simply clip it onto your subject to be recording crystal-clear wireless audio in seconds.

Note: This product requires a RØDE Series IV RX (receiver) to operate, such as the Wireless ME RX, Wireless GO II RX, RØDECaster Pro II, RØDECaster Duo or Streamer X.

- Simple-to-use wireless transmitter for the RØDE Series IV wireless system
- Series IV 2.4 GHz digital transmission for crystal-clear recording with over 100m range
- Intelligent GainAssist technology automatically adjusts volume levels on-the-fly
- High-quality, built-in omnidirectional microphone
- 3.5mm TRS input for connecting external lavalier microphones or VideoMics
- In-built rechargeable lithium-ion battery – up to 7 hours battery life
- Requires a RØDE Series IV receiver to operate (including Wireless ME RX, Wireless GO II RX, RØDECaster Pro II, RØDECaster Duo or Streamer X)



WORKS WITH RØDE
SERIES IV WIRELESS
RECEIVERS



FREE RØDE VIDEO
& AUDIO APPS



ACOUSTIC & ELECTRICAL SPECIFICATIONS

Acoustic Principle:	Pre-polarised pressure transducer
Polar Pattern:	Omnidirectional
Frequency Range:	50Hz – 20kHz
Frequency Response:	50 Hz – 20 kHz ±3 dB
Maximum Input Level (3.5mm):	0 Gain 96.8dB
Microphone Preamp Gain:	0 Gain 118.0dB SPL per IEC 60268
Equivalent Noise (dBA):	0 Gain 17.7dBA
	50 Gain 18.3dBA
	75 Gain 19.7dBA
	100 Gain 19.9dBA
Analog Inputs:	TRS (Lavalier Microphone Input)
Analog Outputs:	TRS
Input Impedance:	2.2kΩ
Output Impedance:	100Ω
Output Connection:	3.5mm headphone jack USB-C
Computer Connectivity:	USB-C (USB 2.0)
Form Factor:	USB-C Broadcast Microphone
Power Requirements:	5V @ 500mA (USB Bus Power)

ACOUSTIC & ELECTRICAL SPECIFICATIONS

Number of Preamps:	One (1)
Bit Depth:	24-bit
Sample Rate:	48 kHz
Operating Systems Requirements:	<p>macOS 10.11 above Windows 7 and above</p> <p>iOS: iPhone 12 Pro Max, iPhone 12 Pro, iPhone 12, iPhone 12 mini, iPhone 11 Pro Max, iPhone 11 Pro, iPhone 11, iPhone XS Max, iPhone XS, iPhone XR, iPhone X, iPhone 8 Plus, iPhone 8, iPhone 7 Plus, iPhone 7, iPhone SE, iPhone 6s Plus, iPhone 6s, iPhone 6 Plus, iPhone 6, iPad Pro 10.5-inch, iPad Pro 12.9-inch (2nd generation), iPad Pro 9.7-inch, iPad Pro 12.9-inch (1st generation), iPad Air (3rd generation), iPad Air 2, iPad Air, iPad mini (5th generation), iPad mini 4, iPad mini 3, iPad mini 2, iPad (7th generation), iPad (6th generation), iPad (5th generation), iPod touch (7th generation), iPod touch (6th generation)</p> <p>Android: Samsung S10+, Samsung A20, Samsung A51, Nokia 5.1, Nokia 8.1, Google Pixel 3a, Moto G7 Power</p>
Power Requirements:	Inbuilt Rechargeable Lithium-ion Battery Charged Via USB5V, 0.3A
Operating Time:	7 Hours
Transmission Range:	200m Line of sight

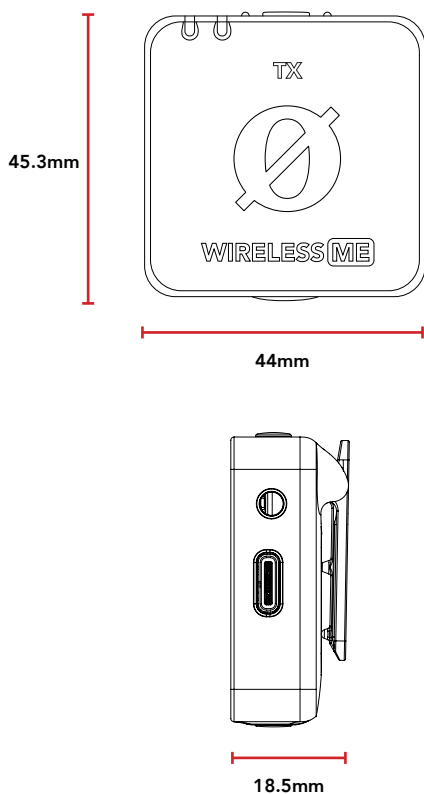
MECHANICAL SPECIFICATIONS

Weight (grams):	32
Dimensions (millimetres):	Length: 44 Width: 45.3 Height: 18.3
Included Accessories:	2 x Furry Windshields 1 x SC22, 30cm USB-C to USB-C cable
RØDE Software Compatibility:	RØDE Central RØDE Connect RØDE Reporter RØDE Capture

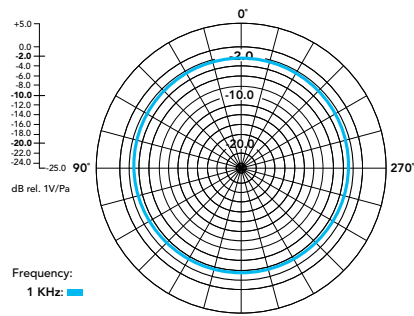
WHAT'S IN THE BOX



DIMENSIONS



POLAR PATTERN



FREQUENCY RESPONSE

