

XDM 100

DYNAMIC USB MICROPHONE FOR
STREAMING AND GAMING



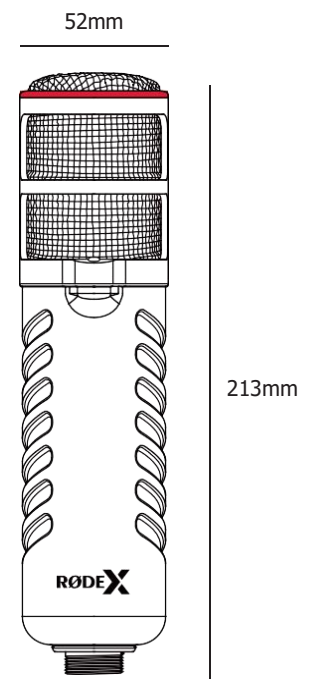
SPECIFICATIONS

Polar Pattern:	Cardioid
Capsule:	Dynamic
Frequency Range:	20 Hz – 20 kHz
Connectivity:	USB-C
Analog Outputs:	3.5mm Headphone Output
Sample Rate:	48 kHz
Bit Depth:	24-bit
OS Requirements:	MacOS 10.12 Windows 10
Net Weight (g):	700g
Dimensions (mm):	52 (W) x 213 (H)
Included Accessories:	<ul style="list-style-type: none">• PSM1 Shock Mount• SC29 USB-C to USB-C cable• 3m Headphone Extension Cable• Pop Shield

The XDM-100 is a professional dynamic USB microphone optimised for streaming and gaming. It delivers rich, broadcast sound with superior room noise rejection and features premium circuitry, including an ultra-low-noise, high-gain Revolution Preamp™ and high-resolution A/D conversion. It has a zero-latency 3.5mm headphone output with level control and mute functionality and comes with a high-quality pop shield and shock mount. The XDM-100 also comes with a free download of UNIFY virtual mixing software, which unlocks advanced audio processing, powered by internal DSP. Together, they offer a complete audio solution for streaming and gaming.

KEY FEATURES

- Professional dynamic USB microphone
- Complete audio solution for streaming and gaming with included UNIFY software
- Rich, detailed audio capture optimised for voice applications
- Superior room noise rejection
- Zero-latency headphone output with level control and mute button
- Internal DSP for advanced audio processing
- Plug-and-play USB-C connectivity with 24-bit, 48 kHz analog-digital conversion
- Pop shield and shock mount included



DYNAMIC USB MICROPHONE FOR STREAMING AND GAMING

用于流媒体和游戏的动态USB话筒

SPECIFICATIONS

Polar Pattern: Cardioid

Capsule: Dynamic

Frequency Range: 20 Hz – 20 kHz

Connectivity: USB-C

Analog Outputs: 3.5mm Headphone Output

Sample Rate: 48 kHz

Bit Depth: 24-bit

OS Requirements: MacOS 10.12

Windows 10

Net Weight (g): 700g

Dimensions (mm): 52 (W) x 213 (H)

Included Accessories:

- PSM1 Shock Mount
- SC29 USB-C to USB-C cable
- 3m Headphone Extension Cable
- Pop Shield

规格参数

极性模式：心形

大振膜：动态

频率范围：20 Hz - 20 kHz

连接性：USB-C

模拟输出：3.5毫米耳机输出

采样率：48 kHz

位深：24位

操作系统要求：MacOS 10.12, Windows 10

净重（克）：700g

尺寸（毫米）：52 (W) x 213 (H)

配件包括：

- PSM1 防震架
- SC29 USB-C至USB-C电缆
- 3米耳机延长线
- Pop Shield 防喷罩

The XDM-100 is a professional dynamic USB microphone optimised for streaming and gaming. It delivers rich, broadcast sound with superior room noise rejection and features premium circuitry, including an ultra-low-noise, high-gain Revolution Preamp™ and high-resolution A/D conversion. It has a zero-latency 3.5mm headphone output with level control and mute functionality and comes with a high-quality pop shield and shock mount. The XDM-100 also comes with a free download of UNIFY virtual mixing software, which unlocks advanced audio processing, powered by internal DSP. Together, they offer a complete audio solution for streaming and gaming.

XDM-100 是为流媒体和游戏而优化的专业的动态USB麦克风。它提供饱满的广播声音，具有更强的室内噪音抑制功能和优质的电路，包括超低噪声、高增益的 Revolution Preamp™和高分辨率A/D转换。它有一个零延迟的3.5毫米耳机输出，带有音量控制和静音功能，并配有高质量的防喷罩和防震支架。XDM-100还附带可免费下载的UNIFY虚拟混音软件，该软件内置DSP驱动，可解锁高级音频处理。它们共同为流媒体和游戏提供了一个完整的音频解决方案。

KEY FEATURES

- Professional dynamic USB microphone
- Complete audio solution for streaming and gaming with included UNIFY software
- Rich, detailed audio capture optimised for voice applications
- Superior room noise rejection
- Zero-latency headphone output with level control and mute button
- Internal DSP for advanced audio processing
- Plug-and-play USB-C connectivity with 24-bit, 48 kHz analog-digital conversion
- Pop shield and shock mount included

- 专业的动态USB麦克风
- 附带的UNIFY软件，为流媒体和游戏提供完整的音频解决方案
- 为语音应用而优化的饱满，高清晰的音频采集
- 更强的室内噪音抑制能力
- 零延迟的耳机输出，带音量控制和静音按钮
- 用于高级音频处理的内置DSP
- 即插即用的USB-C连接，具有24位48kHz模拟数字转换功能
- 包括防喷罩和防震架