

# SC6-L Mobile Interview Kit

DUAL SMARTLAV+ MICROPHONES AND SC6-L MOBILE INTERFACE FOR APPLE DEVICES



DESIGNED FOR  
APPLE DEVICES



HEADPHONE  
OUTPUT JACK



DUAL TRRS  
CONNECTION

The SC6-L Mobile Interview Kit records broadcast-quality 2-person interviews on your Apple® device anywhere, anytime. The SC6-L TRRS-to-Lightning adapter connects with 2 SmartLav+ microphones for easy recording and includes a headphone output for live monitoring.

- 2 x 3.5mm TRRS Microphone Inputs for Lightning connection
- 3.5mm Headphone Output
- Pairs with RØDE Reporter App
- App allows configuration of:
  - Record Mode (Stereo/Separate)
  - Direct Monitoring on/off
  - Mic Pre gain



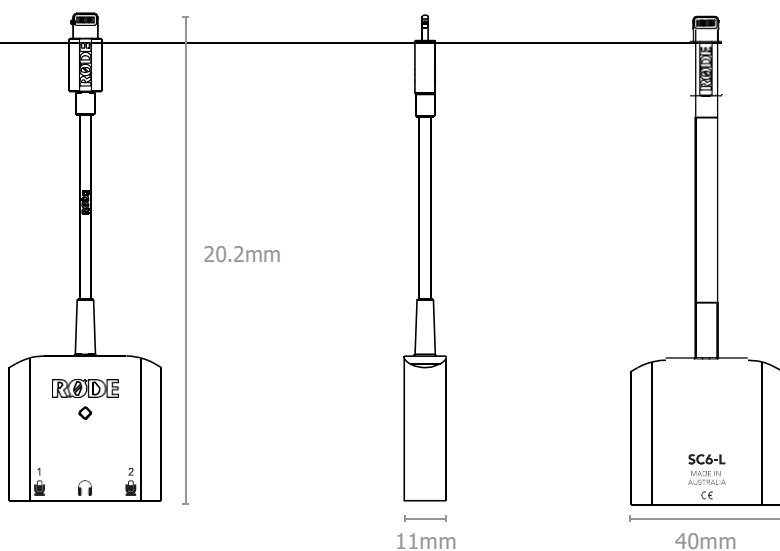
## SPECIFICATIONS

Acoustic Principle:	Permanently Polarised Condenser
Active Electronics:	JFET
Polar Pattern:	Omni-directional
Frequency Response:	SC6L: 20Hz - 20 kHz SmartLav+: 60 Hz - 18 kHz
Signal to noise Ratio:	69 dB
Equivalent Noise:	25 dB Typical
Maximum SPL:	n/a
Power Requirement:	Powered from iPhone Lightning Port
Output Connection:	SC6-L: 3.5mm Headphone Output SmartLav+: Gold-plated TRRS plug
Analog Outputs:	3.5mm TRS Headphone Output
Computer Connectivity:	Lightning (iPhone/iPad/iPod)
Simultaneous I/O:	2/2
Bit Depth:	24-bit
Sample Rates:	44.1/48 kHz
Direct Monitor:	Yes
Bus Powered:	Yes
OS Requirements:	iOS 11 and higher
Material:	PC and ABS Plastic
Colour:	Black
Weight:	53g
Packed Weight:	113g

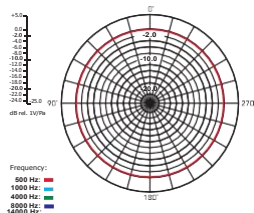
Front view

Side view

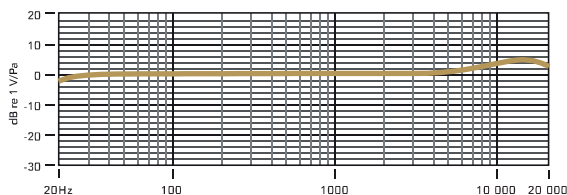
Back view



## POLAR PATTERN



## FREQUENCY RESPONSE



## IN THE BOX

(1) SC6-L, (2) SmartLav+

Made for  
iPhone | iPad | iPod

The SC6-L Mobile Interview Kit records broadcast-quality 2-person interviews on your Apple® device anywhere, anytime. The SC6-L TRRS-to-Lightning adapter connects with 2 SmartLav+ microphones for easy recording and includes a headphone output for live monitoring.

SC6-L移动采访套件在您的Apple®设备上随时随地录制广播质量级别的2人采访。SC6-L TRRS-to-Lightning适配器与2个 SmartLav+麦克风连接，便于录音，并包括一个用于现场监听的耳机输出。

- 2 x 3.5mm TRRS Microphone Inputs for Lightning connection 2个3.5毫米 TRRS麦克风输入，用于闪电连接
- 3.5mm Headphone Output 3.5毫米耳机输出
- Pairs with RØDE Reporter App 与 RØDE Reporter 应用程序配对
- App allows configuration of: 应用程序允许配置
- Record Mode (Stereo/Separate) 录音模式（立体声/单独）
- Direct Monitoring on/off 直接监听开/关
- Mic Pre gain 麦克风预置增益

## SPECIFICATIONS 规格

Acoustic Principle 声学原理:	Permanently Polarised Condenser 永久性极化电容器
Active Electronics 有源电子:	JFET
Polar Pattern 极性模式:	Omni-directional 全指向性
Frequency Response 频率响应:	SC6L: 20Hz - 20 kHz SmartLav+: 60 Hz - 18 kHz
Signal to noise Ratio 信号噪声比:	69 dB
Equivalent Noise 等效噪音:	25 dB Typical
Maximum SPL 最大声压级:	n/a
Power Requirement 功率要求:	Powered from iPhone Lightning Port 由iphone Lighting端口供电
Output Connection 输出连接:	SC6-L: 3.5mm Headphone Output 耳机输出 SmartLav+: Gold-plated TRRS plug
Analog Outputs 模拟输出:	3.5mm TRS Headphone Output
Computer Connectivity 计算机连接:	Lightning (iPhone/iPad/iPod)
Simultaneous I/O 同时 I/O:	2/2
Bit Depth 位数深度:	24-bit
Sample Rates 采样率:	44.1/48 kHz
Direct Monitor 直接监控:	Yes
Bus Powered 总线供电:	Yes
OS Requirements 操作系统要求:	iOS 11 and higher iOS 11 及更高版本
Material 材料:	PC and ABS Plastic
Colour 颜色:	Black 黑色
Weight 净重 (克):	53g
Packed Weight 包装重量 (克):	113g



### IN THE BOX

(1) SC6-L, (2) SmartLav+