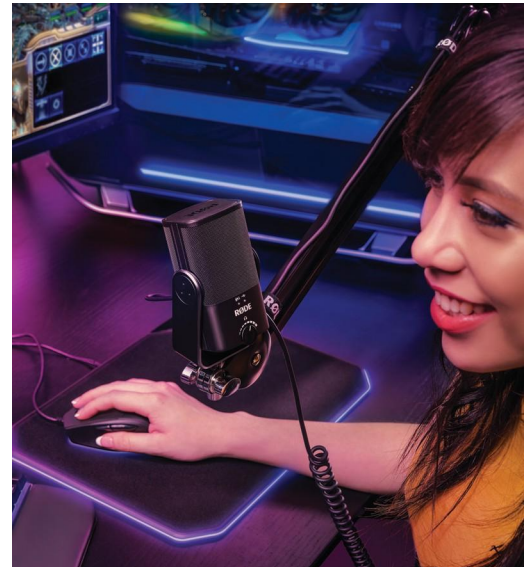


NT-USB MINI

STUDIO-QUALITY USB MICROPHONE

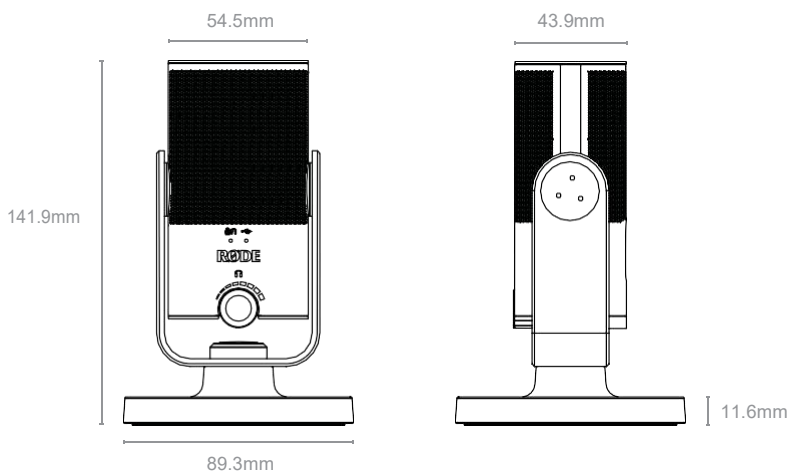


The NT-USB Mini is a compact, studio-quality USB microphone designed for recording direct to a computer or tablet. It is simple to set-up and use, and a smooth frequency response and directional pickup pattern make the NT-USB Mini perfect for recording vocals and instruments, livestreaming and gaming, podcasting, voice calls and more. The included desk stand features a magnetic base that can be detached for easy mounting on mic stands or studio arms, and with its in-built pop filter and zero-latency headphone monitoring, the NT-USB Mini delivers crisp, clear audio in all recording applications.

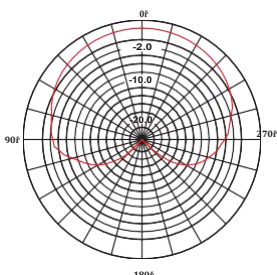
- Studio-quality microphone with USB-C connectivity
- 3.5mm headphone output with zero-latency monitoring
- Easy set-up, plug in and play
- Detachable magnetic desk stand
- In-built pop filter

ACOUSTIC & ELECTRICAL SPECIFICATIONS

Acoustic Principle:	Pressure gradient
Active Electronics:	Electret condenser, A/D and USB interface
Polar Pattern:	Cardioid
Frequency Range:	20 Hz – 20 kHz
Input SPL @ 1%THD:	121dB (A-weighted, as per IEC651)
Sample Rate:	48kHz
Bus Powered:	Yes
Bit Depth:	24-bit
Analog Output:	3.5mm headphone
Computer Connectivity:	USB - simultaneous I/O Mono input, stereo output
Output Connection:	USB-C
OS Requirements:	macOS 10.12/Windows 10
Weight (grams):	585
Dimensions (millimetres):	Height: 141.9 Width: 54.5 Diameter (base): 89.3



POLAR PATTERN



The NT-USB Mini is a compact, studio-quality USB microphone designed for recording direct to a computer or tablet. It is simple to set-up and use, and a smooth frequency response and directional pickup pattern make the NT-USB Mini perfect for recording vocals and instruments, live streaming and gaming, podcasting, voice calls and more. The included desk stand features a magnetic base that can be detached for easy mounting on mic stands or studio arms, and with its in-built pop filter and zero-latency headphone monitoring, the NT-USB Mini delivers crisp, clear audio in all recording applications.

- Studio-quality microphone with USB-C connectivity
- 3.5mm headphone output with zero-latency monitoring
- Easy set-up, plug in and play
- Detachable magnetic desk stand
- In-built pop filter

NT-USB Mini 是一个紧凑的、录音室质量的 USB 话筒，设计用于直接在电脑或平板电脑上录音。它的设置和使用都很简单，平稳的频率响应和定向拾音模式使 NT-USB Mini 成为录制人声和乐器、直播和游戏、播客、语音通话等的完美选择。附带的桌面支架有一个磁力底座，可以拆卸，便于安装在话筒支架或演播室吊臂上，加上内置滤波器和零延迟耳机监听，NT-USB Mini 在所有录音应用中提供清晰的音频。

- 拥有 USB-C 连接功能的录音室质量的话筒
- 3.5毫米耳机输出，具有零延迟监听功能
- 设置简单，即插即用
- 可拆卸的磁性桌面支架
- 内置滤波器

ACOUSTIC & ELECTRICAL SPECIFICATIONS 声学 & 技术数据

Acoustic Principle 声学原理: Pressure gradient 压力梯度

Active Electronics 有源电子技术: Electret condenser 驻极体电容, A/D 和 USB 连接

Polar Pattern 指向性模式: Cardioid 心形

Frequency Range 频率模式: 20 Hz – 20 kHz

Input SPL @ 1%THD 输入声压级@ 1%THD: 121dB (A-weighted 噪声比, as per 根据 IEC651)

Sample Rate 采样率: 48 kHz

Bus Powered 总线供电: Yes

Bit Depth 位数深度: 24-bit

Analog Output 模拟输出: 3.5mm headphone 耳机

Computer Connectivity 计算机连接: USB - simultaneous I/O Mono input, stereo output

Output Connection 输出连接: USB-C

OS Requirements 操作系统要求: macOS 10.12 / Windows 10

Weight (grams) 净重 (克): 585

Dimensions (millimetres) 尺寸 (毫米): Height (高度): 141.9 Width (宽度): 54.5 Diameter (base) 直径 (底座): 89.3